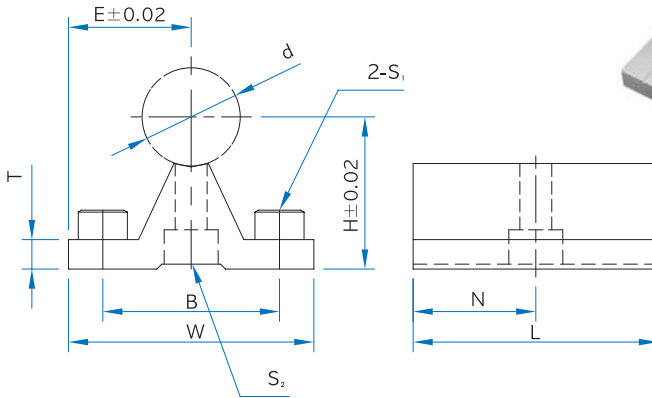


S-ST type

Shaft Support Rail I

Application Ball Bushing Block - SHO



Unit : mm

Part No.	Shaft d	Dimensions					Mounting Dimensions			
		H	E	W	L	T	B	N	S_1	S_2
S-ST16×50	$\Phi 16$	25	20	40	50	5	30	25	M5	M5
S-ST20×50	$\Phi 20$	27	22,5	45	50	5	30	25	M5	M6
S-ST25×50	$\Phi 25$	33	27,5	55	50	6	35	25	M6	M6
S-ST30×60	$\Phi 30$	37	30	60	60	7	40	30	M6	M8
S-ST40×70	$\Phi 40$	48	37,5	75	70	9	55	35	M8	M8