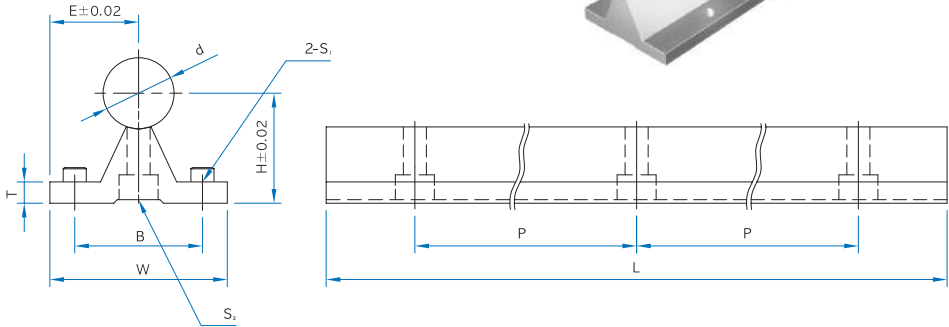


ST type

Shaft Support Rail I

Application Ball Bushing Block - SHO



Unit : mm

Part No.	Shaft d	Dimensions					Mounting Dimensions				
		H	E	W	L	T	B	P*	S ₁	S ₂	
ST 16	$\Phi 16$	25	20	40	Max length 3m Effective for long stroke application	5	30	150	M5	M5	
ST 20	$\Phi 20$	27	22.5	45		5	30	150	M5	M6	
ST 25	$\Phi 25$	33	27.5	55		6	35	200	M6	M6	
ST 30	$\Phi 30$	37	30	60		7	40	200	M6	M8	
ST 40	$\Phi 40$	48	37.5	75		9	55	300	M8	M8	

Note) P can be changed for customer requirement