

SH 75

TECHNICAL DATA

- The lifting-rotating unit can be equipped with functional safety (on request)

TECHNISCHE DATEN

U	Voltage range:	200-600 V _{AC rms}
I_P	Peak current:	7.6 A
n_{2 Max}	Max. rotation speed:	220 min ⁻¹
T_{2P}	Max. acceleration torque:	12 Nm
v_{2 Max}	Max. speed:	0.5 m/s
F_{2P}	Peak force:	1200 N
s_{Max}	Max. stroke:	75 mm
	Repeat accuracy (rotation):	180 arcsec (± 90")
	Repeat accuracy (stroke):	0.02 mm
J_{2 Max}	Max. inertia:	0.06 kgm ²
m_{rec}	Max. recommended load:	10 kg
C_{r0}	Concentricity when retracted:	0.06 mm
C_{r75}	Concentricity when extended:	0.08 mm

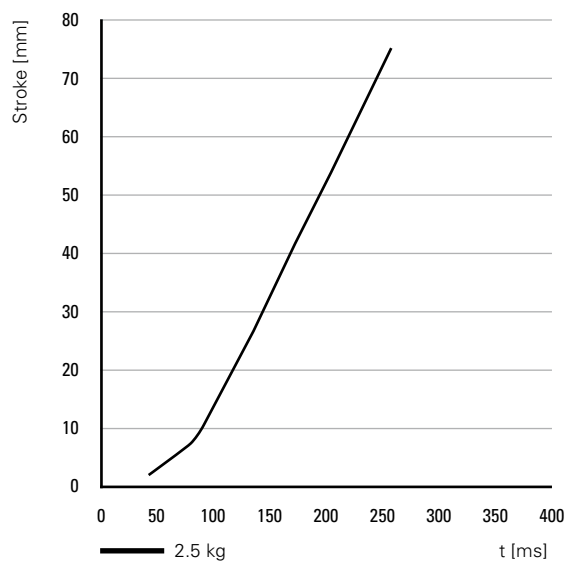
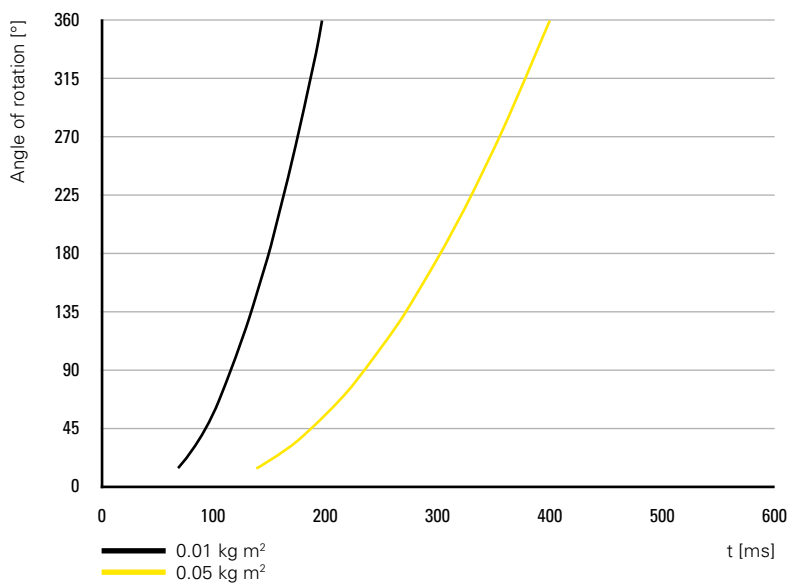
LOAD DATA (on the drive shaft)

F_{2A stat}	Static axial force:	1200 N
F_{2R stat}	Static radial force (extended):	500 N
F_{2R stat}	Static radial force (retracted):	1500 Nm
M_{2T stat}	Static torque:	10 Nm

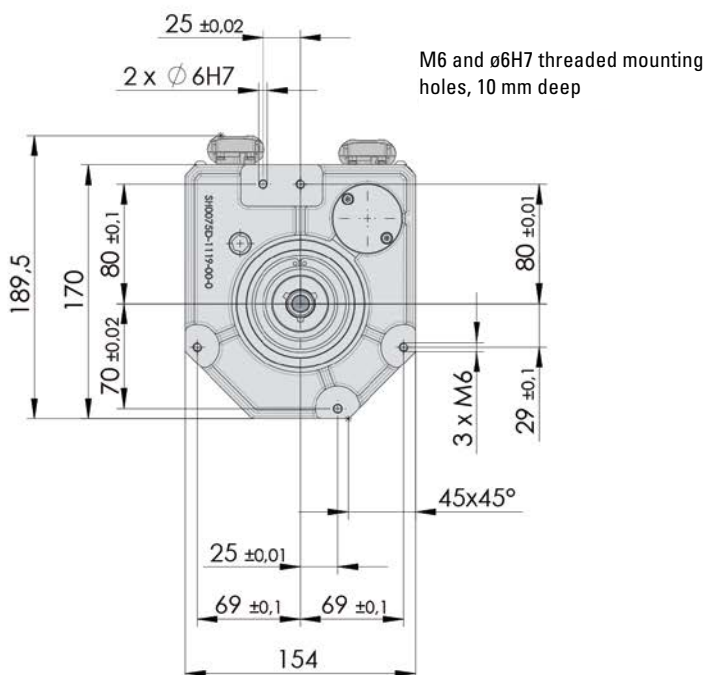
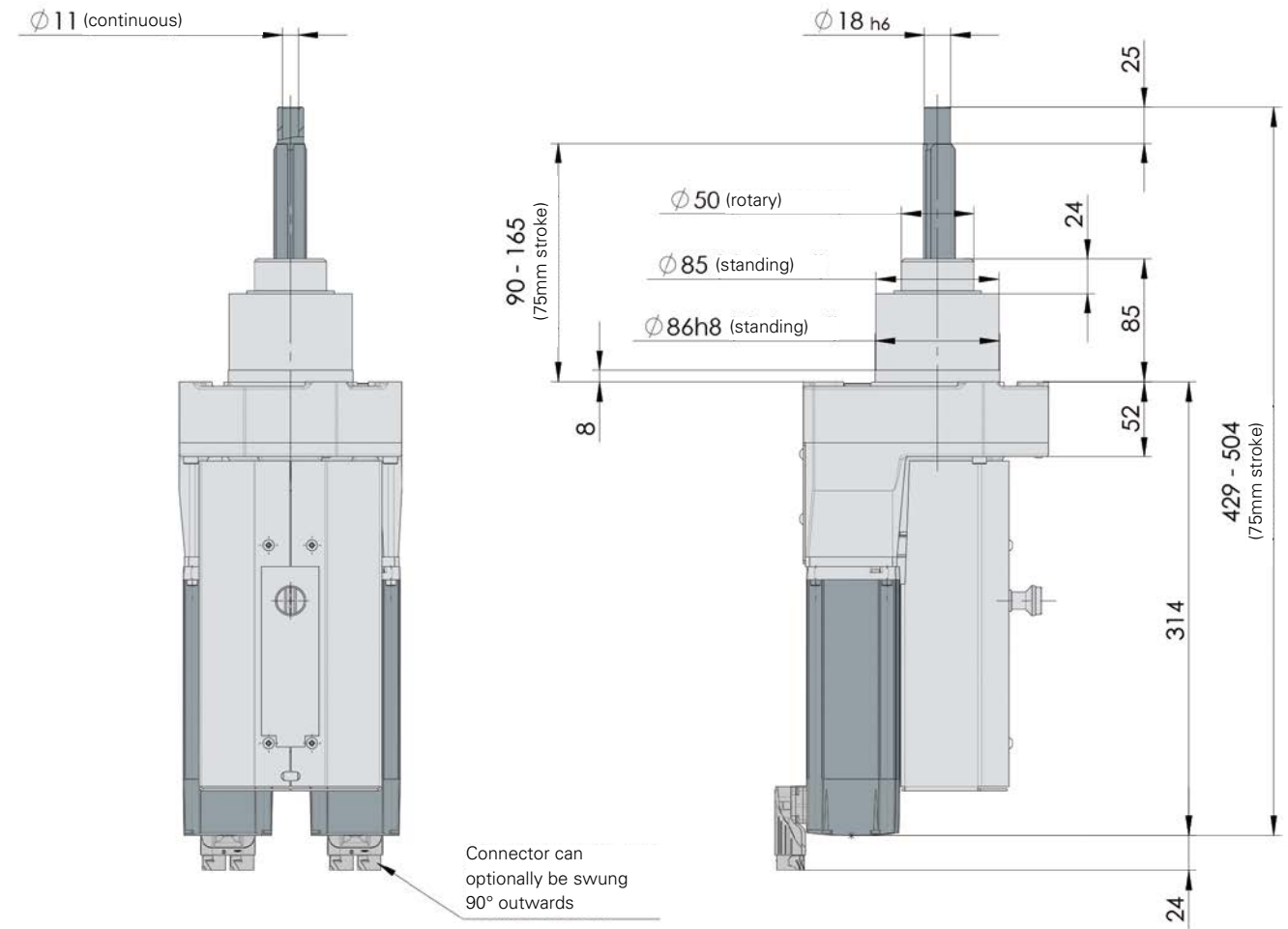
ENCODER

Sick	Hiperface
------	-----------

TIMING DIAGRAM

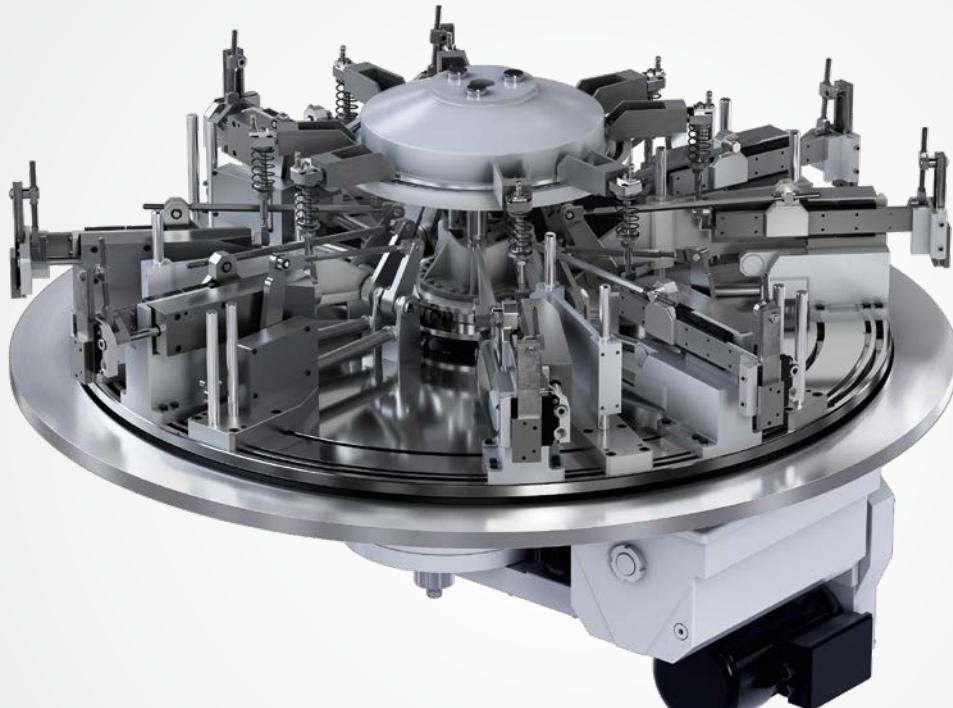


DIMENSIONS



PICK-O-MAT

AUTOMATED ASSEMBLY SYSTEM | PICK-O-MAT AUTOMATED ASSEMBLY SYSTEM



Handling module



Lifting module

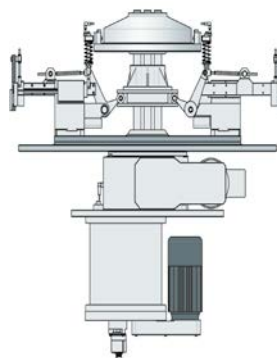


Pressing module

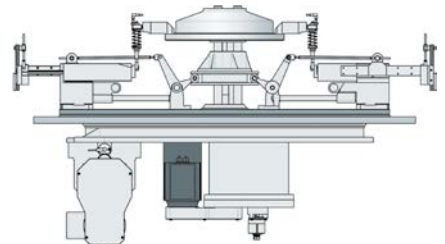
PICK-O-MAT AUTOMATED ASSEMBLY SYSTEM: HIGH-PERFORMANCE AND EASY TO INTEGRATE

THE SIZES

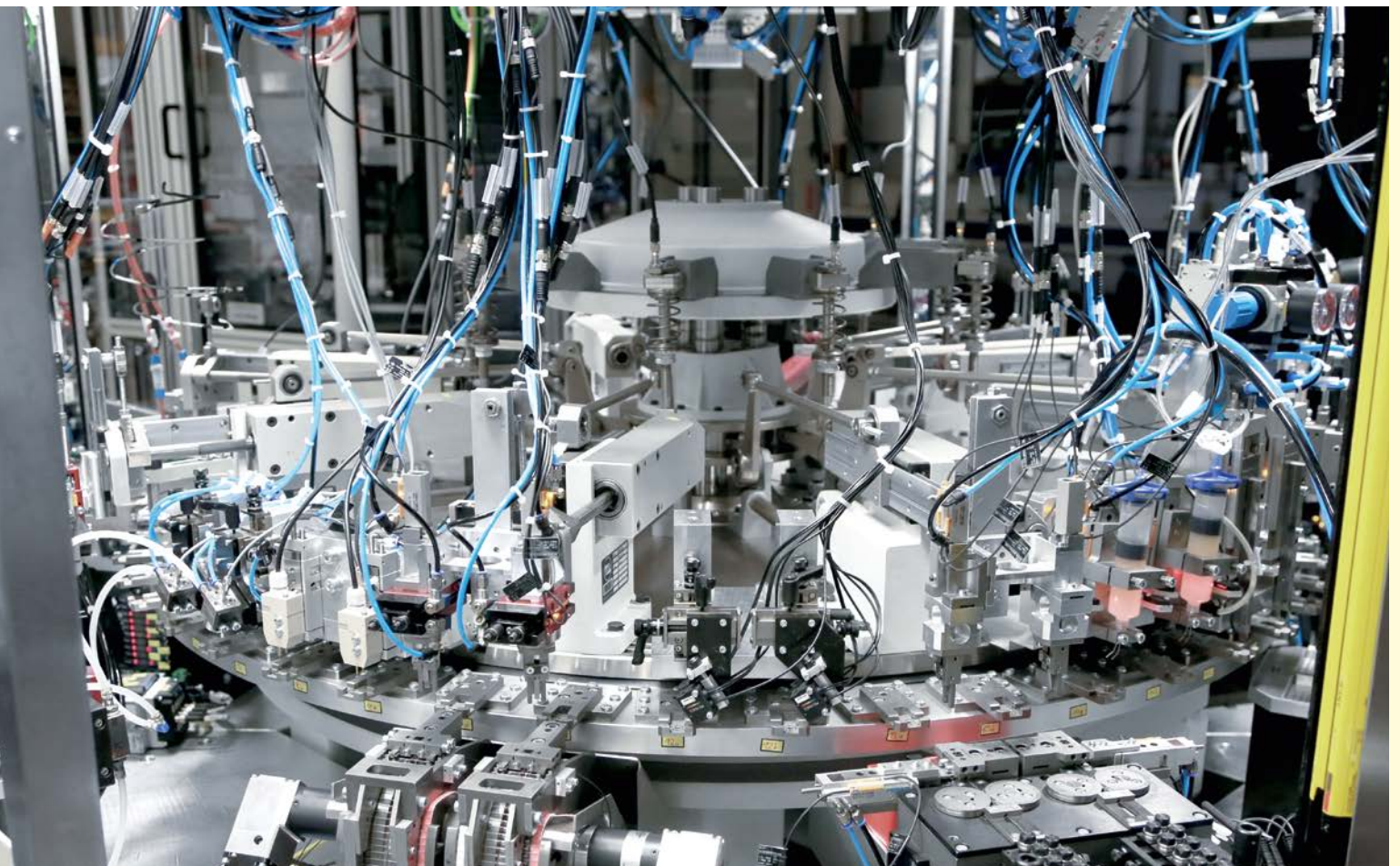
Available in two sizes, the PM 1100 and PM 1500 are the ideal basic machines for your specific application.



PM 1100



PM 1500



Assembly of small parts at Hammermeister Sondermaschinenentwicklung GmbH

The Pick-o-Mat is in a class of its own: the electromechanical automated assembly system unites a rotary indexing table with up to 24 handling, pressing and lifting modules, which are synchronised via a central drive. Different stroke variants can be combined easily. The elegant and powerful drive solution works without pneumatic handling mechanisms and is available in two sizes.

ADVANTAGES

- Automated assembly system with rotary indexing table and up to 24 integrated handling, pressing and lifting modules
- Central cam drive for all module movements
- Powerful, affordable and easy-to-integrate complete solution also available on request with base plate, base frame (SR or SK model range) and control system